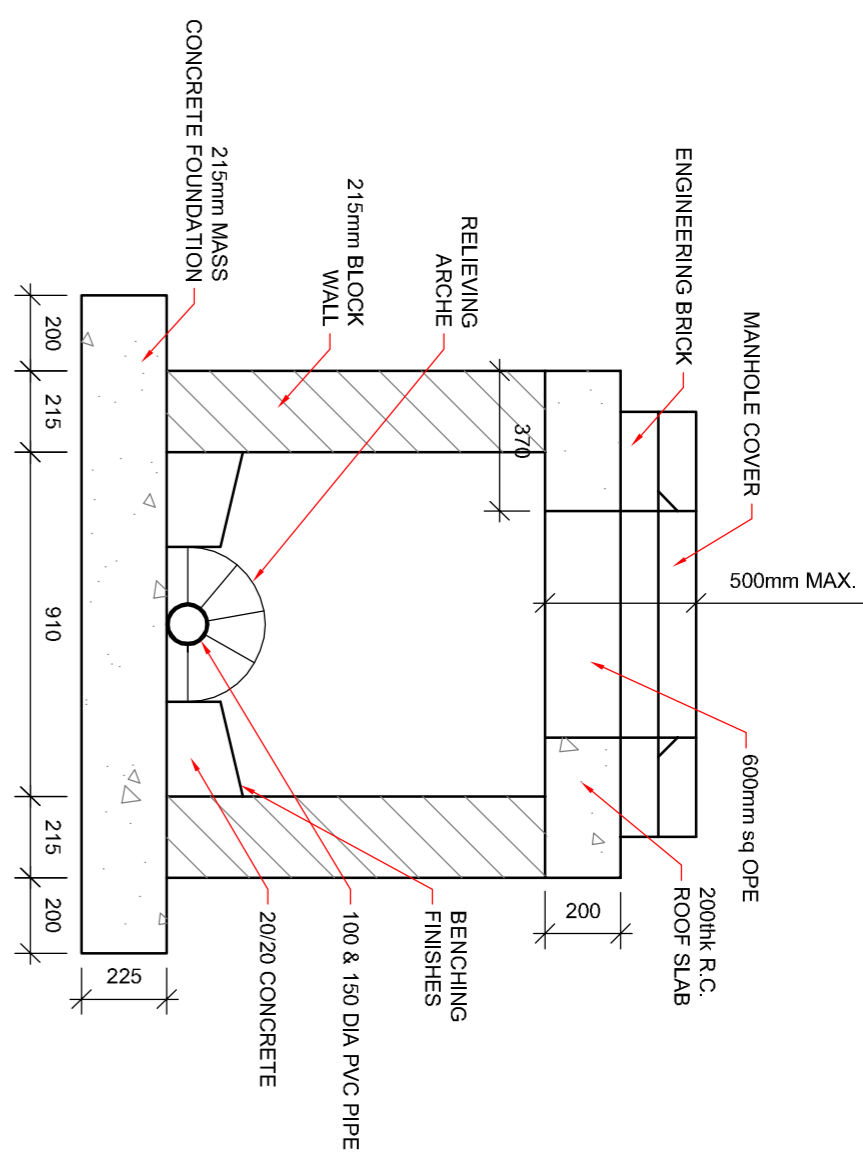
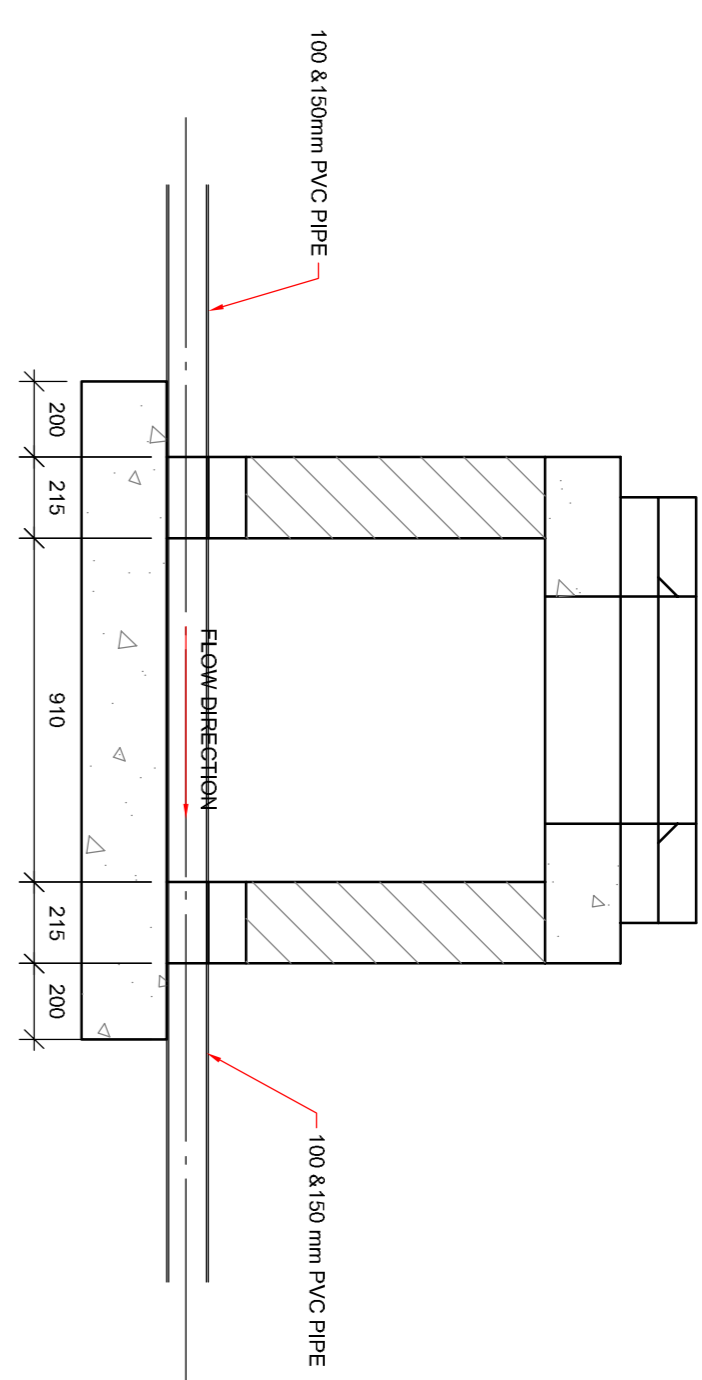


TYPE A MANHOLE
SCALE 1:20

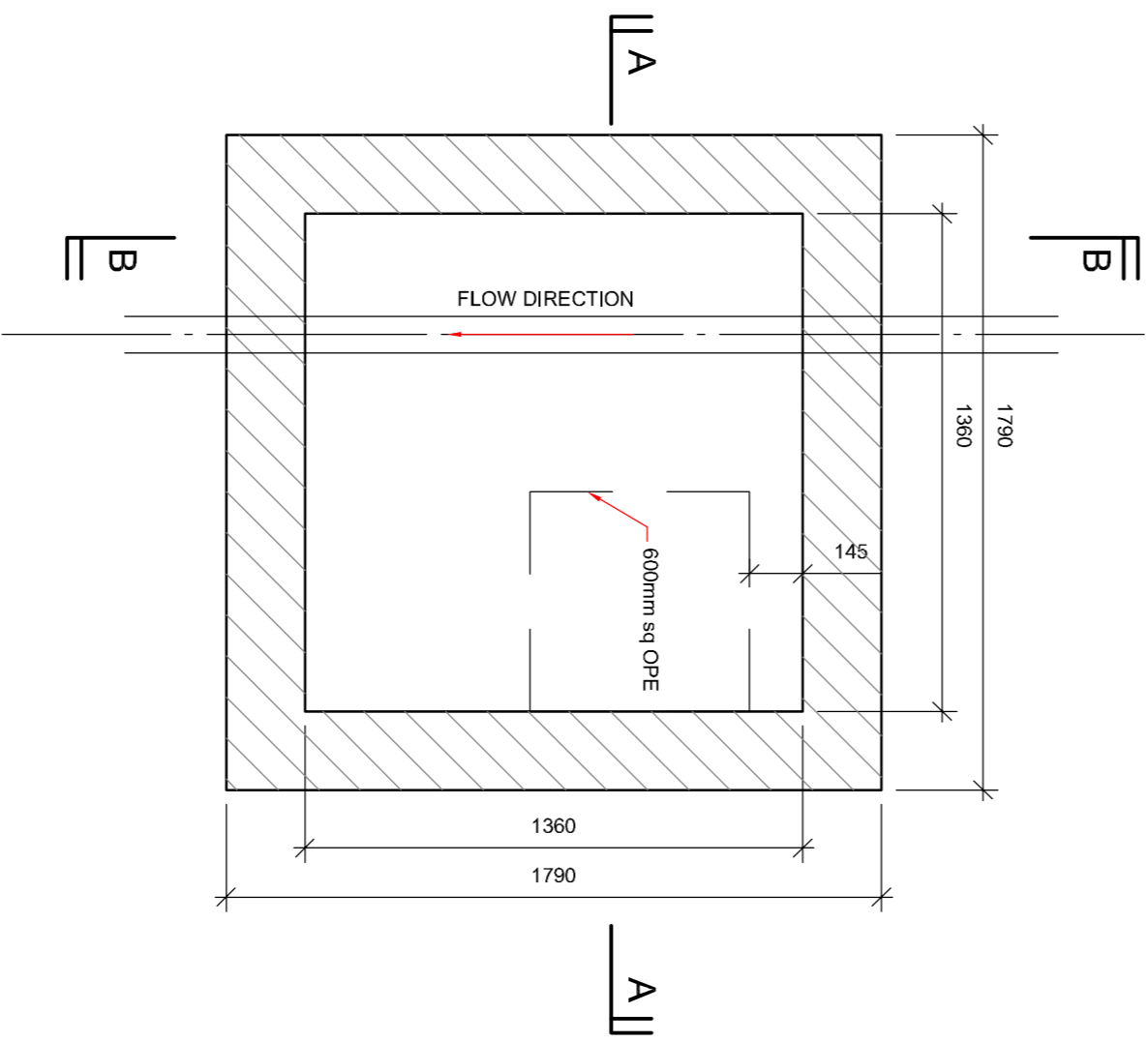


TYPE A SECTION A-A
SCALE 1:20

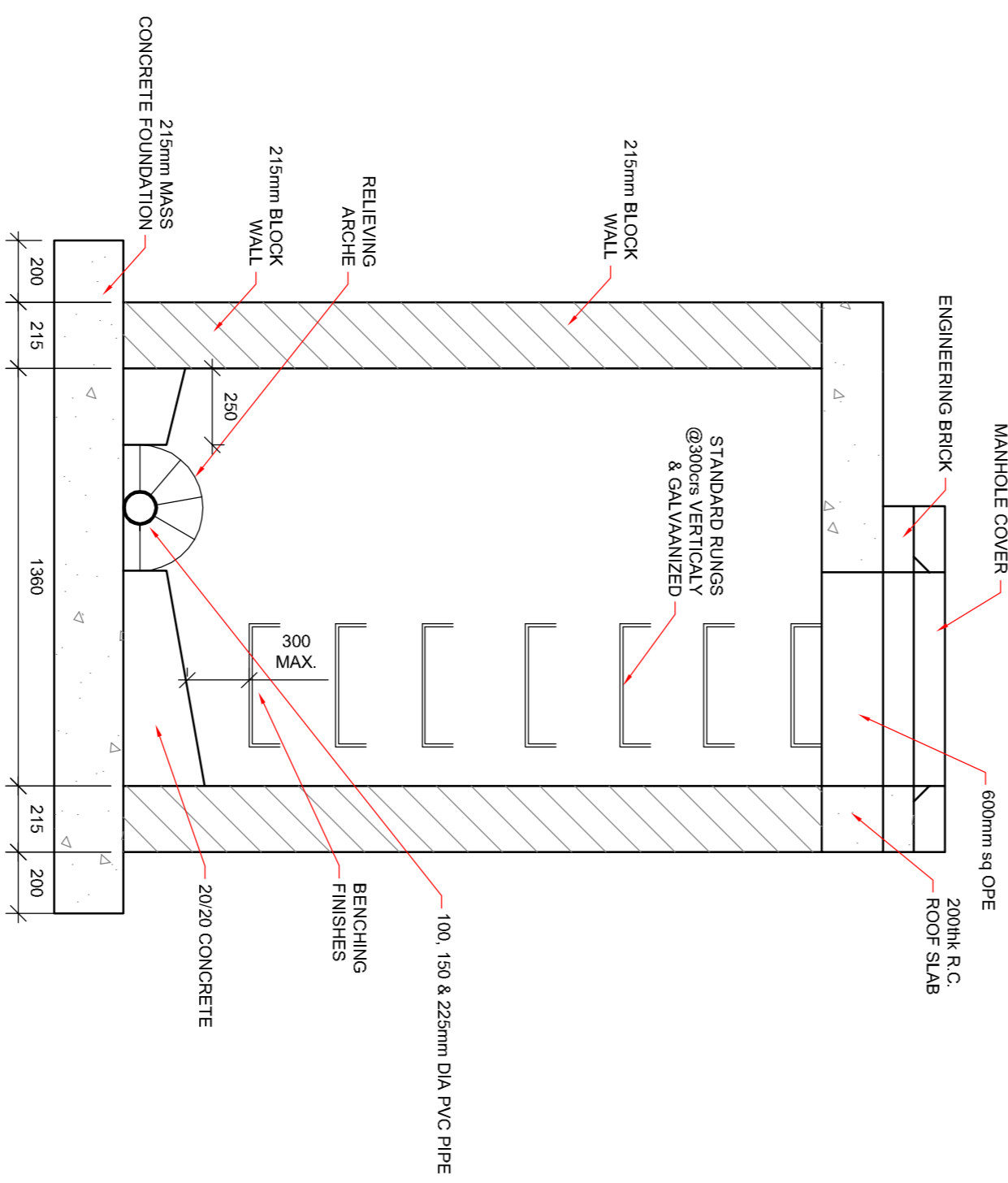


TYPE A SECTION B-B
SCALE 1:20

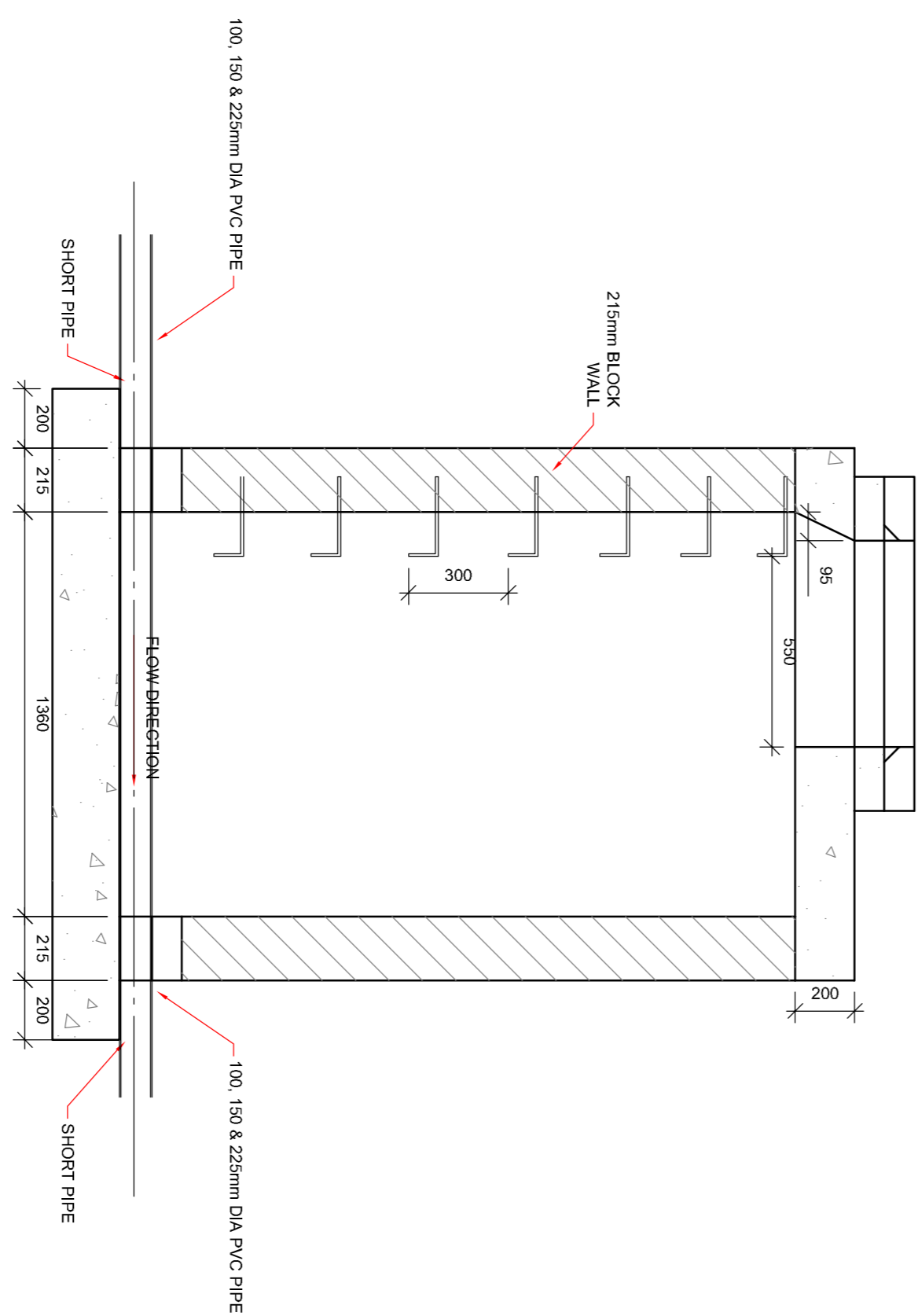
MANHOLE DETAILS FOR PIPE DIAM'S:
150, 225, 300, 375 & 450mm
DEPTH TO INVERT LESS THAN 1.0m



TYPE B MANHOLE
SCALE 1:20



TYPE B SECTION A-A
SCALE 1:20



TYPE B SECTION B-B
SCALE 1:20

MANHOLE DETAILS FOR PIPE DIAM'S:
225, 300, 375 & 450mm
DEPTH TO INVERT 1m to 3m

NOTES:

- THIS DRAWING TO BE READ IN CONJUNCTION WITH ALL RELEVANT ARCHITECTS AND ENGINEERS DETAIL DRAWINGS AND SPECIFICATIONS.
- DO NOT SCALE DIMENSIONS. REFER TO ARCHITECT'S DRAWINGS FOR ALL SETTING OUT DIMENSIONS. WORK TO REQUIRED DIMENSIONS ONLY.
- THE ENGINEER IS TO BE AFFORDED SUFFICIENT TIME TO CARRY OUT INSPECTIONS OF THE WORKS IN ACCORDANCE WITH THE PROJECT INSPECTION PLAN AND INSPECTION NOTIFICATION FRAMEWORK.
- ALL CONSTRUCTION PRODUCTS TO HAVE RELEVANT CE MARKING WHERE APPLICABLE.
- ALL DEMOLITION WORKS TO BE IN ACCORDANCE WITH BS 6187: 2011.
- ALL CONTRACTORS OR SUB-CONTRACTORS RESPONSIBLE FOR SPECIALIST DESIGN MUST PROVIDE PROFESSIONAL INDEMNITY INSURANCES, ANGLIARY CERTIFICATES FOR DESIGN AND ANGLIARY CERTIFICATES FOR INSPECTION IN ACCORDANCE WITH BS 6187: 2011.
- GRANULAR MATERIAL**
- ALL GRANULAR FILL PLACED ON SITE MUST COMPLY WITH BS21 2014 + A1:2016 AND BS888:2016.
- ALL GRANULAR FILL MUST BE ROLLED AND COMPACTED IN ACCORDANCE WITH NEA SPECIFICATION FOR ROADWORKS. THE CONTRACTOR MUST PROVIDE CERTIFICATES AND DELIVERY DOCKETS FOR ALL GRANULAR FILL MATERIAL PLACED ON SITE.
- DRAINAGE**
- ALL DRAINAGE WORK TO BE CARRIED OUT IN ACCORDANCE WITH IS EN 752: 2008, TGD PART H, GPR CODE OF PRACTICE FOR DRAINAGE WORKS V6.0 AND IRISH WATER SPECIFICATIONS.
- MIN. 150mm C16/20 CONCRETE BED & SURROUND TO BE PROVIDED TO ALL SEWER PRELINES UNDER ROADS, VERGES AND FOOTPATHS.
- BACKFILL FOR ALL UPVC PIPES TO BE FREE FROM STONE EXCEEDING 50mm FOR 300mm ABOVE GRANULAR SURROUND.
- ALL REINSTATEMENT WORKS TO BE IN ACCORDANCE WITH THE REQUIREMENTS OF THE LOCAL AUTHORITY.
- ALL MANHOLES COVERS AND FRAME ARE TO BE CLASS D400 TO BS EN 1241 UNO.
- SEWER PIPE LINES TO BE UPVC PIPES UP TO AND INCLUDING 3000 TO IS 123 ON GRANULAR BED AND SURROUND LAID STRICTLY TO MANUFACTURERS INSTRUCTIONS.

Rev	Date	By	CHK'd	Description
0	26/09/2018	POC	X	Issue for Planning

LOHAN & DONNELLY
Consulting Engineers

13 Gardiner Place, Mountjoy Square, Dublin 1. T: 01 8787770
W: www.lohan-donnelly.com E: info@lohan-donnelly.com

Job:	Social Housing, Ardmore Park, Priory lawn, Waterford City	Job No:	1611	Proj. No.:	CO2
Scale:	@A1	Date:	Sept 2018		

Drawing:	Manhole Details Manhole Type A & B	Drawn:	POC	Rev.:	0
----------	---------------------------------------	--------	-----	-------	---