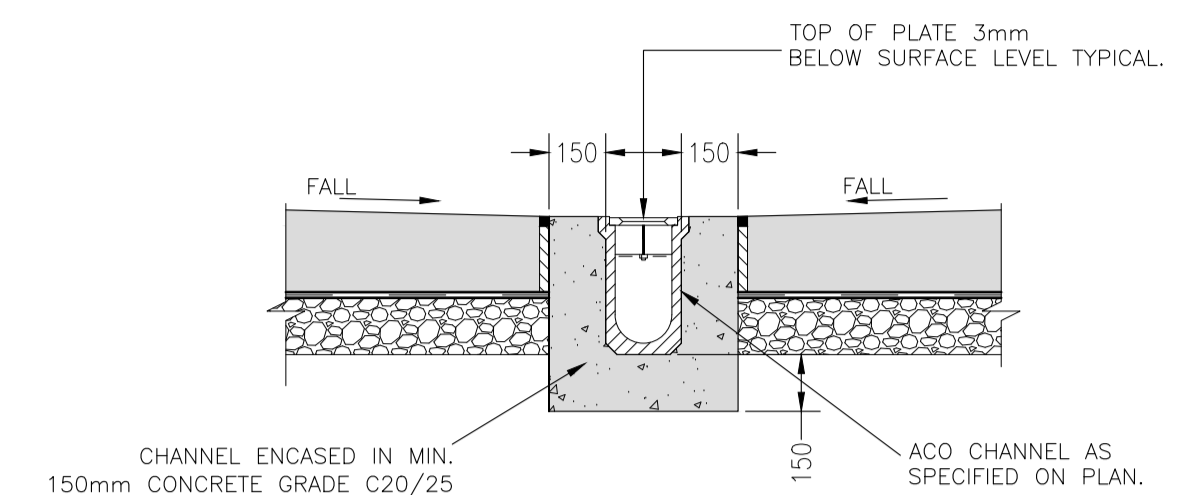
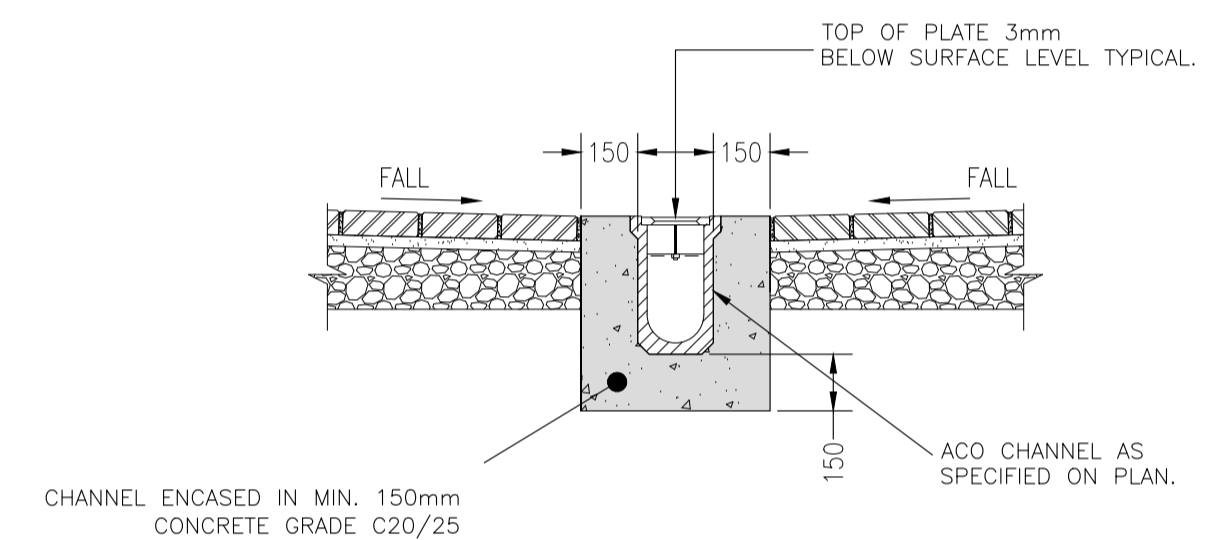


TYP. SECT. THRO' BRICK ROAD GULLY



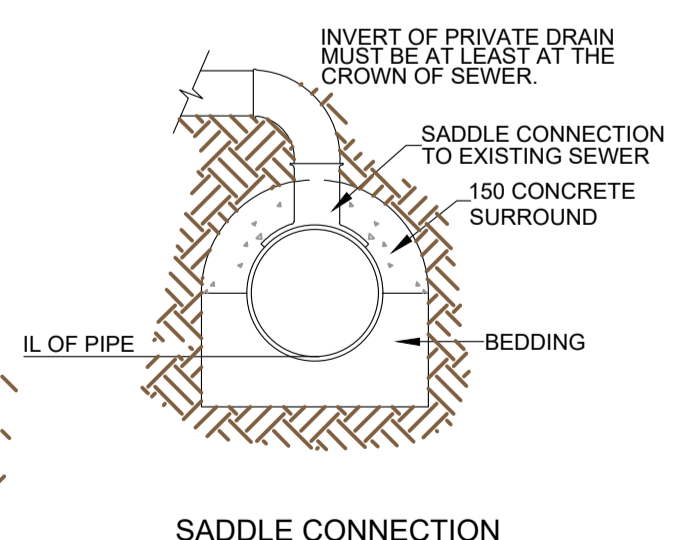
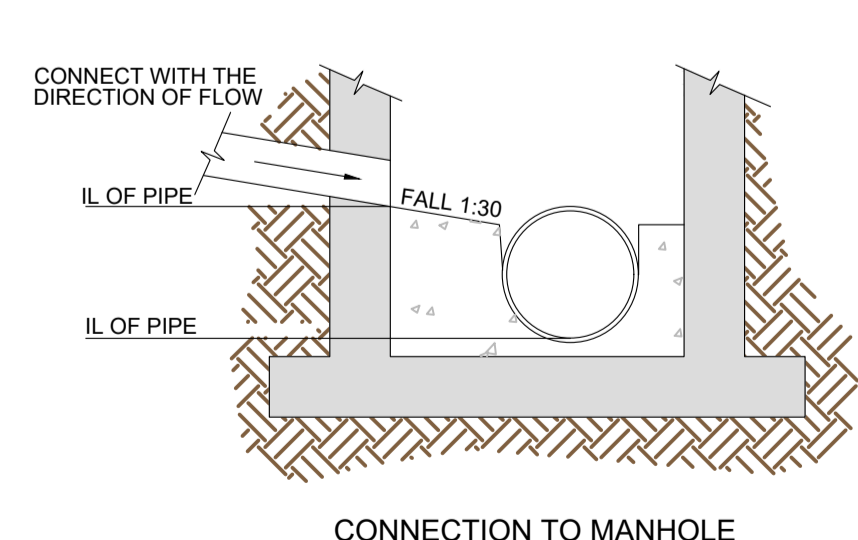
B SECTION
SCALE: N.T.S.

TYPICAL SECTION THRO'UGH ACO CHANNEL IN CONCRETE ROADWAY / HARDSTANDING

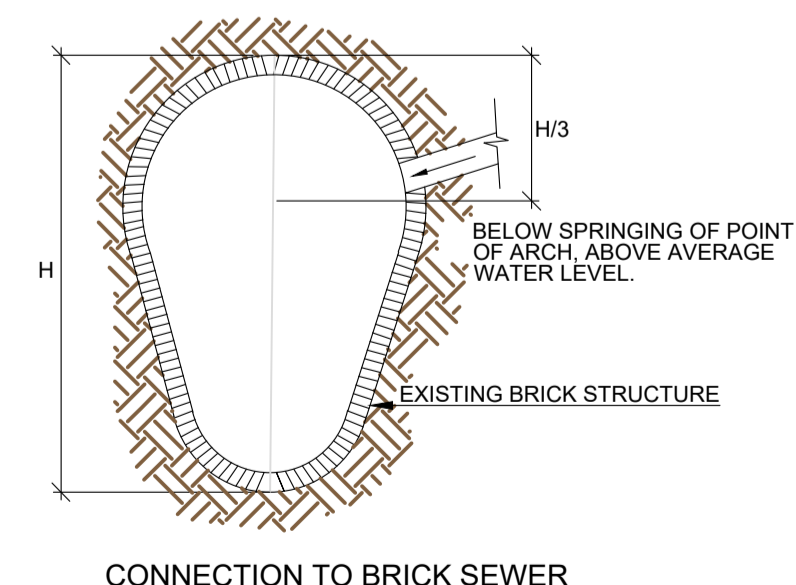


C SECTION
SCALE: N.T.S.

TYPICAL SECTION THRO'UGH ACO CHANNEL IN BLOCK PAVER ROADWAY / HARDSTANDING



MANHOLE CONNECTIONS (DCC AREA ONLY)



CONNECTION TO BRICK SEWER



Referenced drawings	
Dwg No.	Dwg Title

Issue register					
Rev.	Date	Description	Own.	Chkd.	Apprvd.
PL1	20.04.18	PLANNING ISSUE	EM	NP	NP

Client: WATERFORD CITY AND COUNTY COUNCIL

Job Description: SOCIAL HOUSING PPP BUNDLE 2 SLIEVEKEALE, WATERFORD CITY

Status: PLANNING

Drawing Title: EXTERNAL DETAILS SHEET 3 GULLIES & ACO CHANNEL DETAILS

Project No: 17KK007/SWB2 Drawing Ref: SLI-C-052 Rev: PL1

Date: 05.07.17 Scale: AS SHOWN

Drawn By: P.FUNCHEON Checked By: P.FUNCHEON Approved By: N.PATTERSON

Hayes Higgins Partnership
Gas House Lane, Kilkenny.
Gas House Lane, Kilkenny. (086) 7164110 (086) 7123223 info@hayeshiggins.com
58 Fitzwilliam Square, Dublin 2. (01) 4612321 (01) 4612504 admin@hayeshiggins.ie