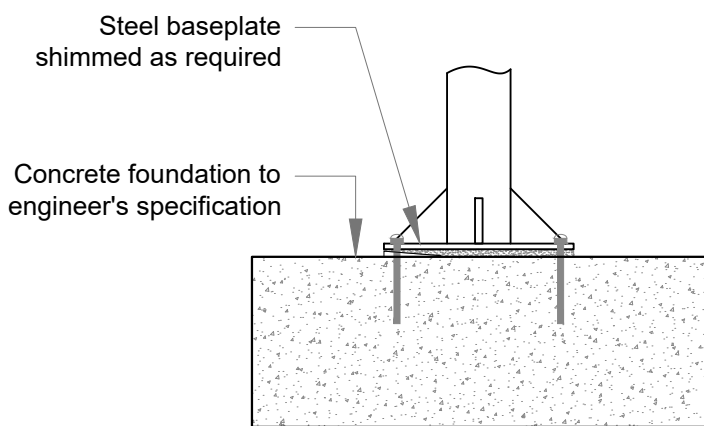
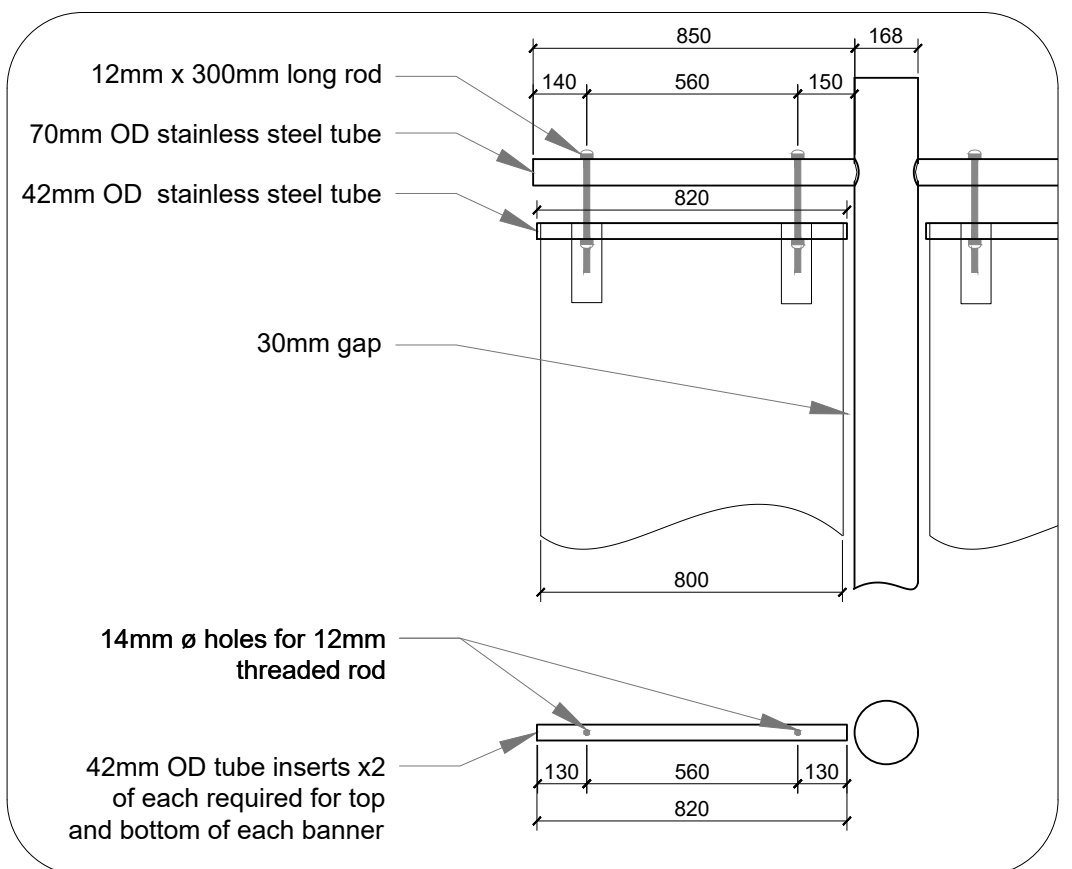


**S3**  
**01** FRONT ELEVATION  
SCALE: 1:50 @ A3

**S3**  
**02** SIDE ELEVATION  
SCALE: 1:50 @ A3



**S3**  
**03** BASE PLATE DETAIL  
SCALE: 1:20 @ A3



**S3**  
**04** BANNER FIXING DETAIL  
SCALE: 1:20 @ A3

NOTES:  
1. Steel fabricator to provide shop dwgs for approval.  
2. All steel welds to be sized for wind loading requirements (banners will be mesh type)  
3. Existing limestone to be reinstated and made good after installation of poles.  
4. Groundworks to be finalised by engineer, not for construction.

| Rev | Description | Date | By |
|-----|-------------|------|----|
|     |             |      |    |
|     |             |      |    |
|     |             |      |    |
|     |             |      |    |



project Waterford Treasures, The Mall, Waterford City  
New Banner Poles

|           |          |                     |     |
|-----------|----------|---------------------|-----|
| dwg no    | S3       | job no.             |     |
| date      | 30/10/20 | drawn               | MOB |
| a3 scale: | 1:50     | a1 scale:           |     |
| dwg title |          | Plan and Elevations |     |