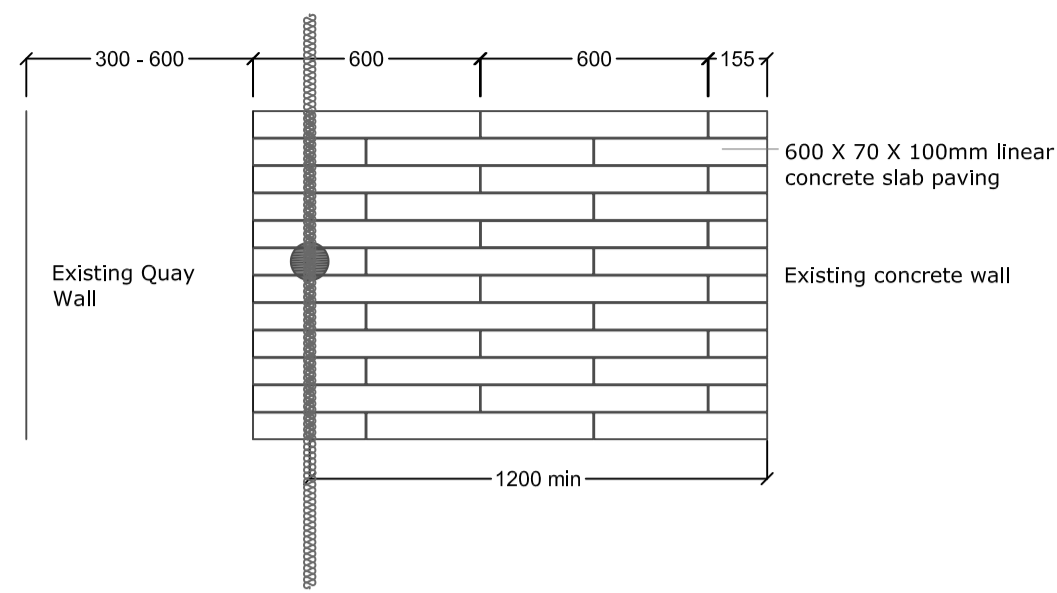
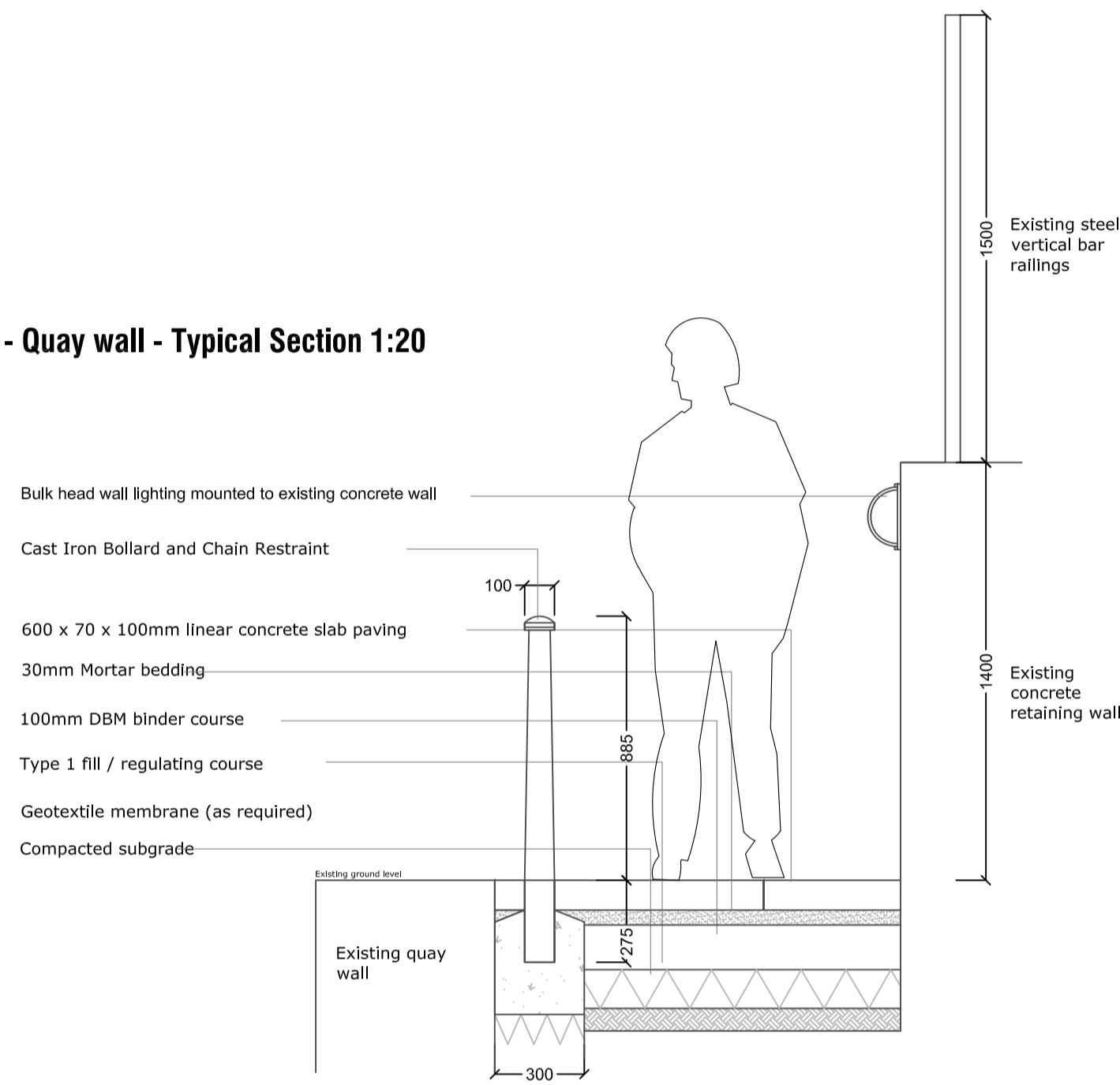


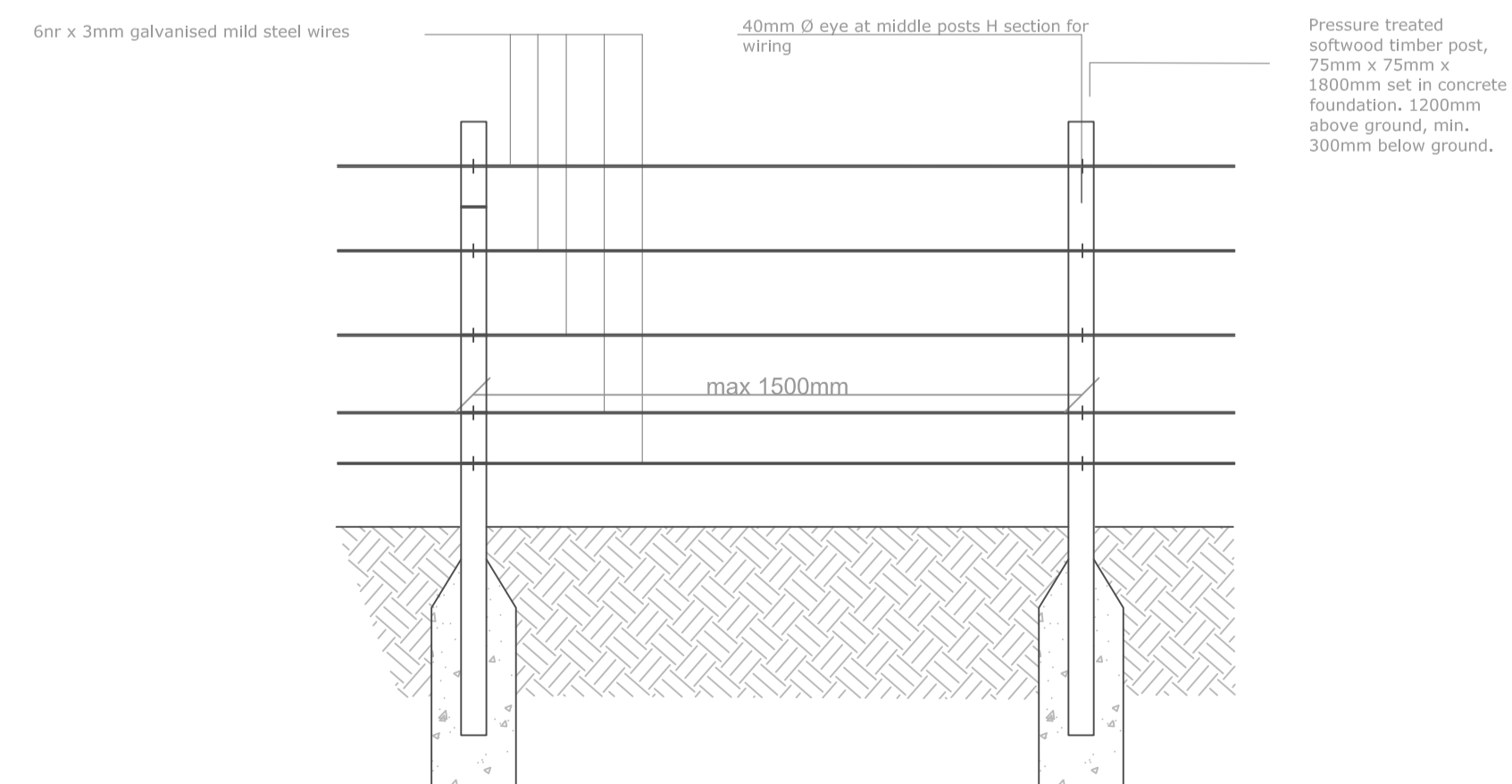
Quay wall - Typical Plan 1:20



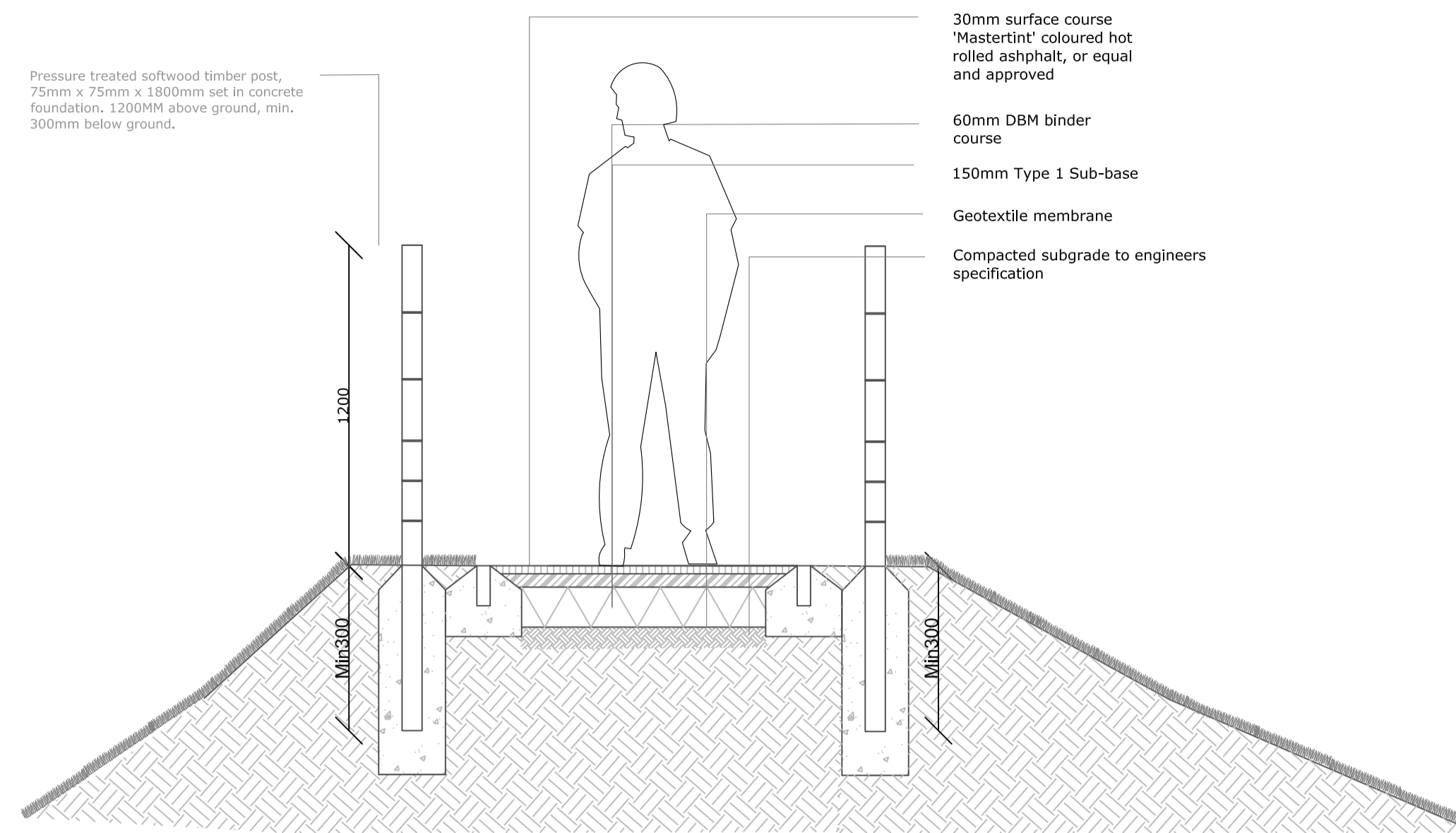
Section AA - Quay wall - Typical Section 1:20



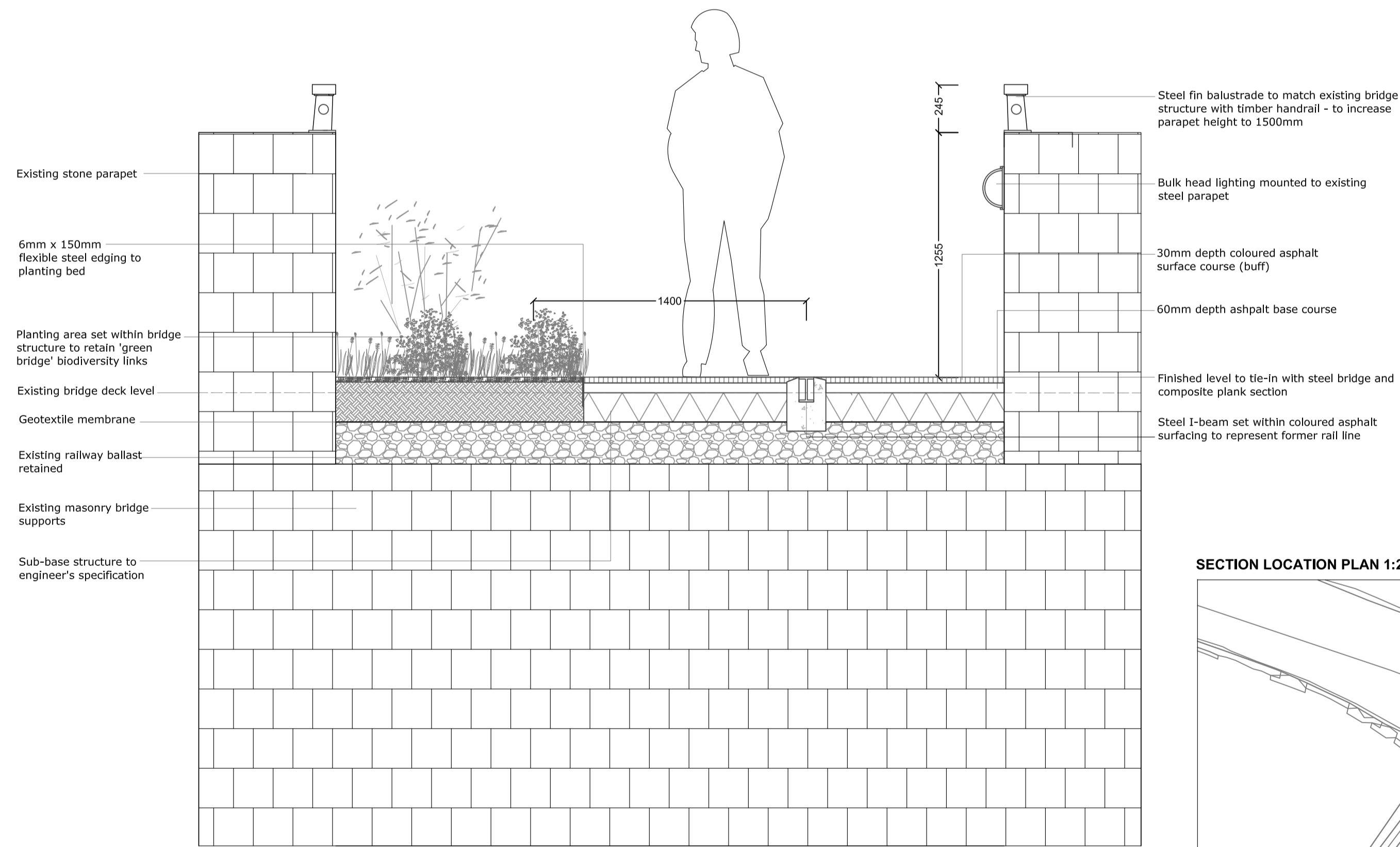
Section BB - Woodland Embankment - Typical Section 1:20



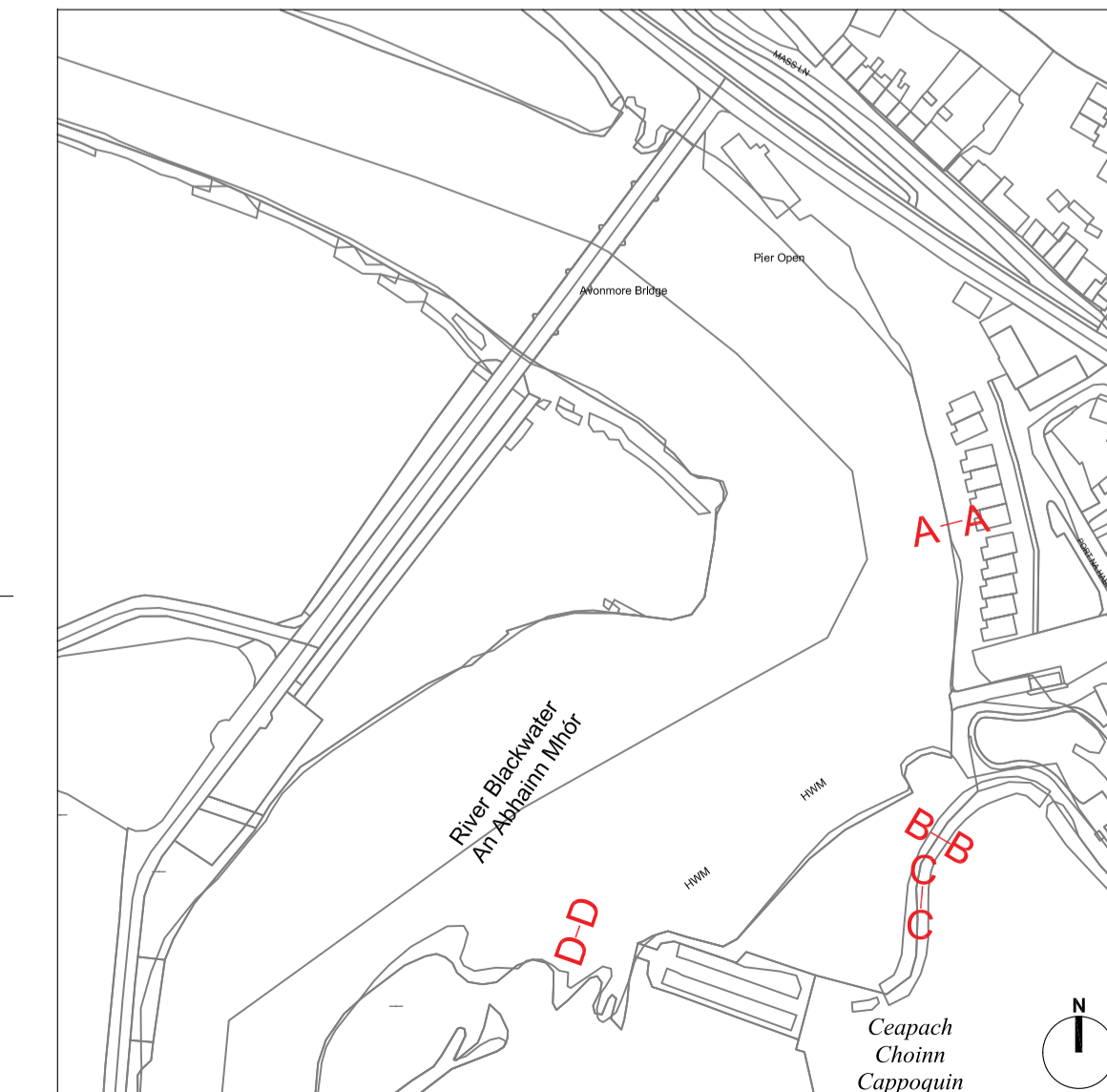
Section CC - Woodland Embankment - Typical Section 1:20



Section DD - Old Red Bridge - Masonry - Typical Section 1:20



SECTION LOCATION PLAN 1:2500



Notes
Do not scale from this drawing.
All dimensions are drawn in millimetres.
Drawing & design copyright LUC.
Reproduction of this drawing in whole or in part is prohibited without prior permission.

TOBIN CONSULTING ENGINEERS
Waterford City & County Council
Coblaire Coláiríoch
& Coimise Páirt Líbhe
CYAL50233107 © Ordnance Survey Ireland/Government of Ireland

No.	Date	Description	DR	CHK
A	12.05.22	First Issue	AR	JH

LUC LUC Manchester
6th Flr, 55 King Street, Manchester, M2 4LQ
+44 (0)161 537 5960
manchester@lucdise.co.uk
www.lucdise.co.uk

Project Cappoquin Amenity Hub Walking Trail		Status Planning
Client Waterford City and County Council		Issue A
Scale @A1 As Shown	Drawing Title Typical Sections Sheet 1	
Job Nr 11624	Drawing Nr 11624-LD-SEC-601	Issue A