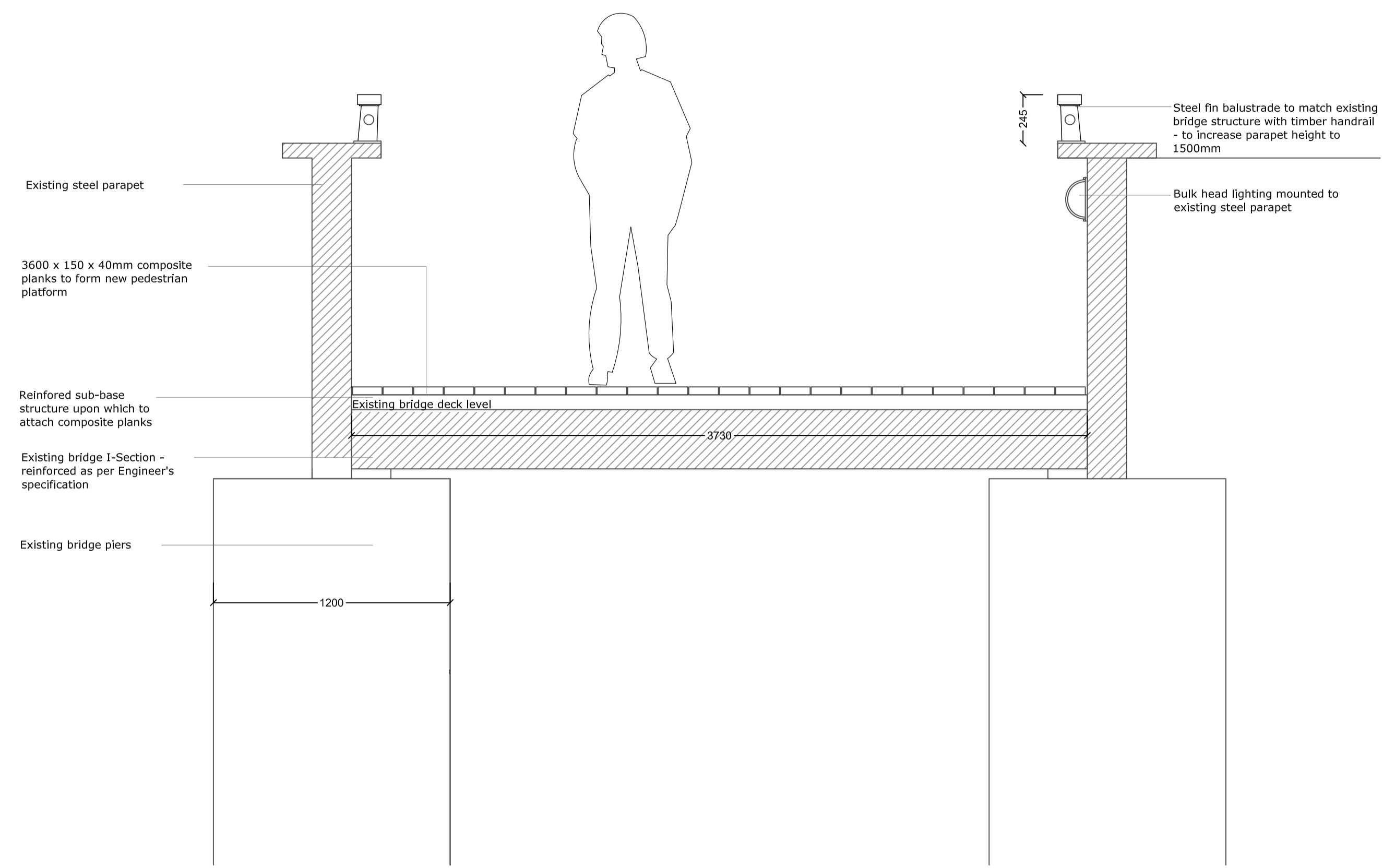
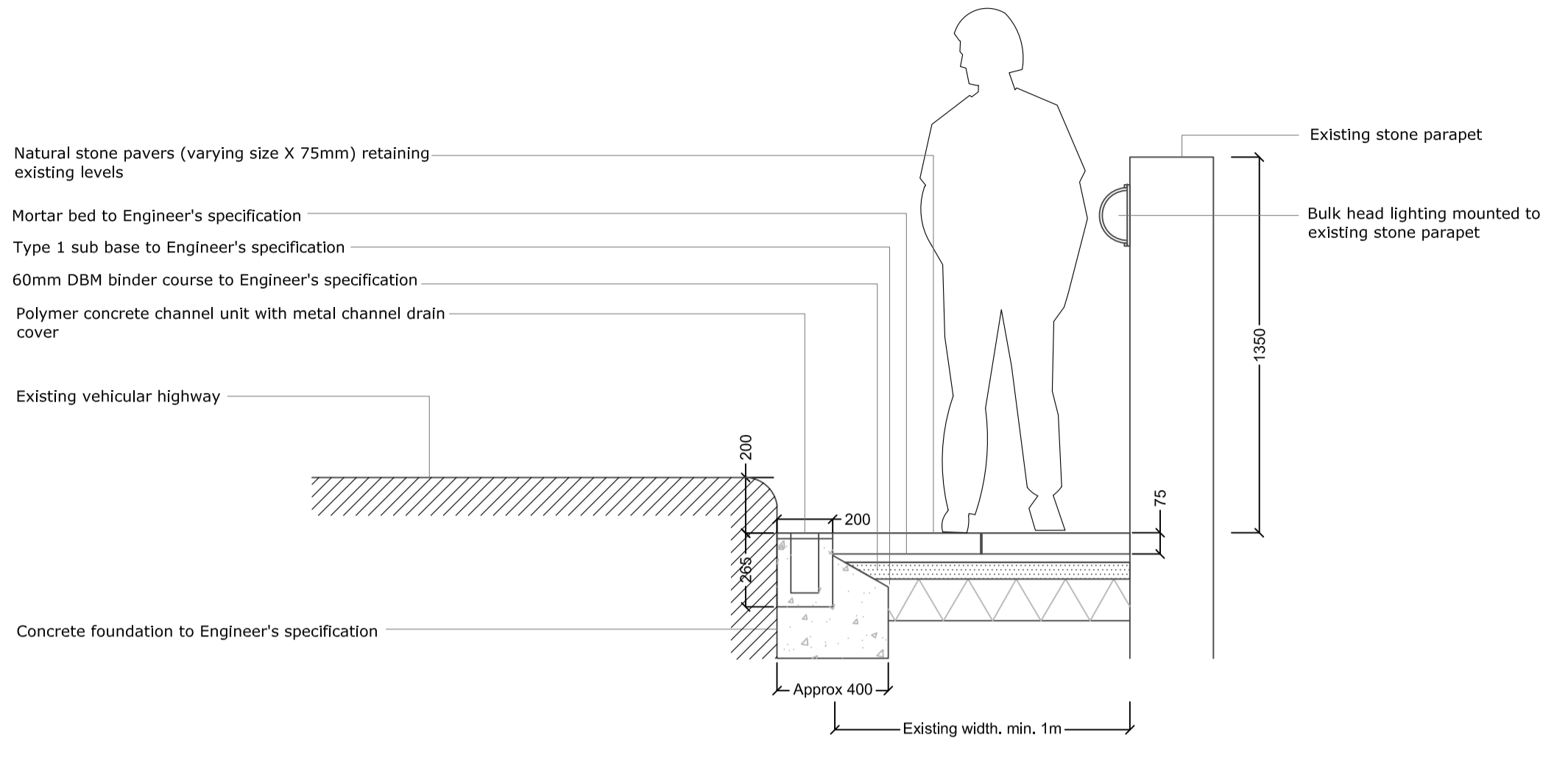


Notes
 Do not scale from this drawing.
 All dimensions are drawn in millimetres.
 Drawing & design copyright LUC.
 Reproduction of this drawing in whole or in part is prohibited without prior permission.

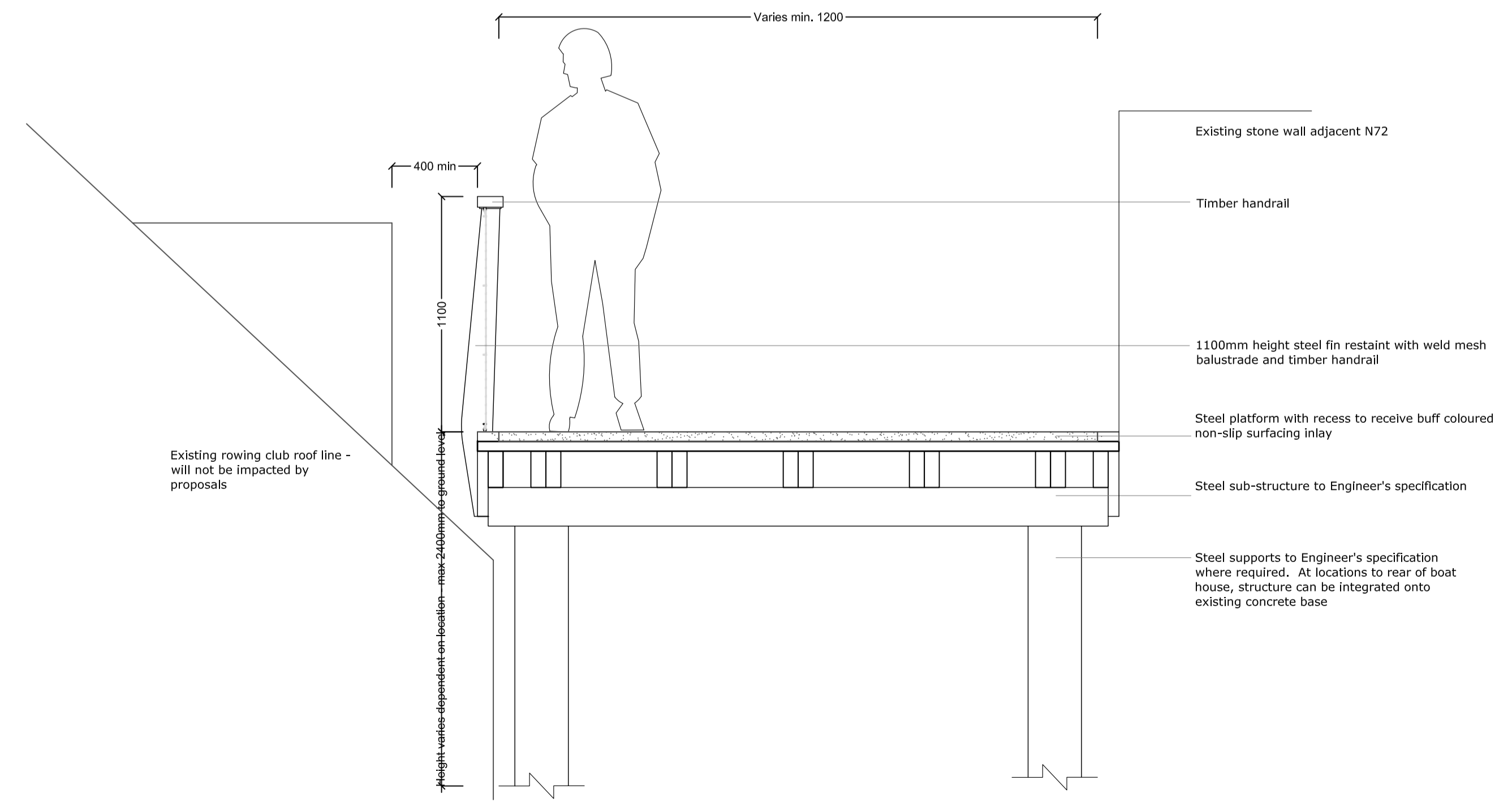
Section EE - Old Red Bridge - Steel Structure - Typical Section 1:20



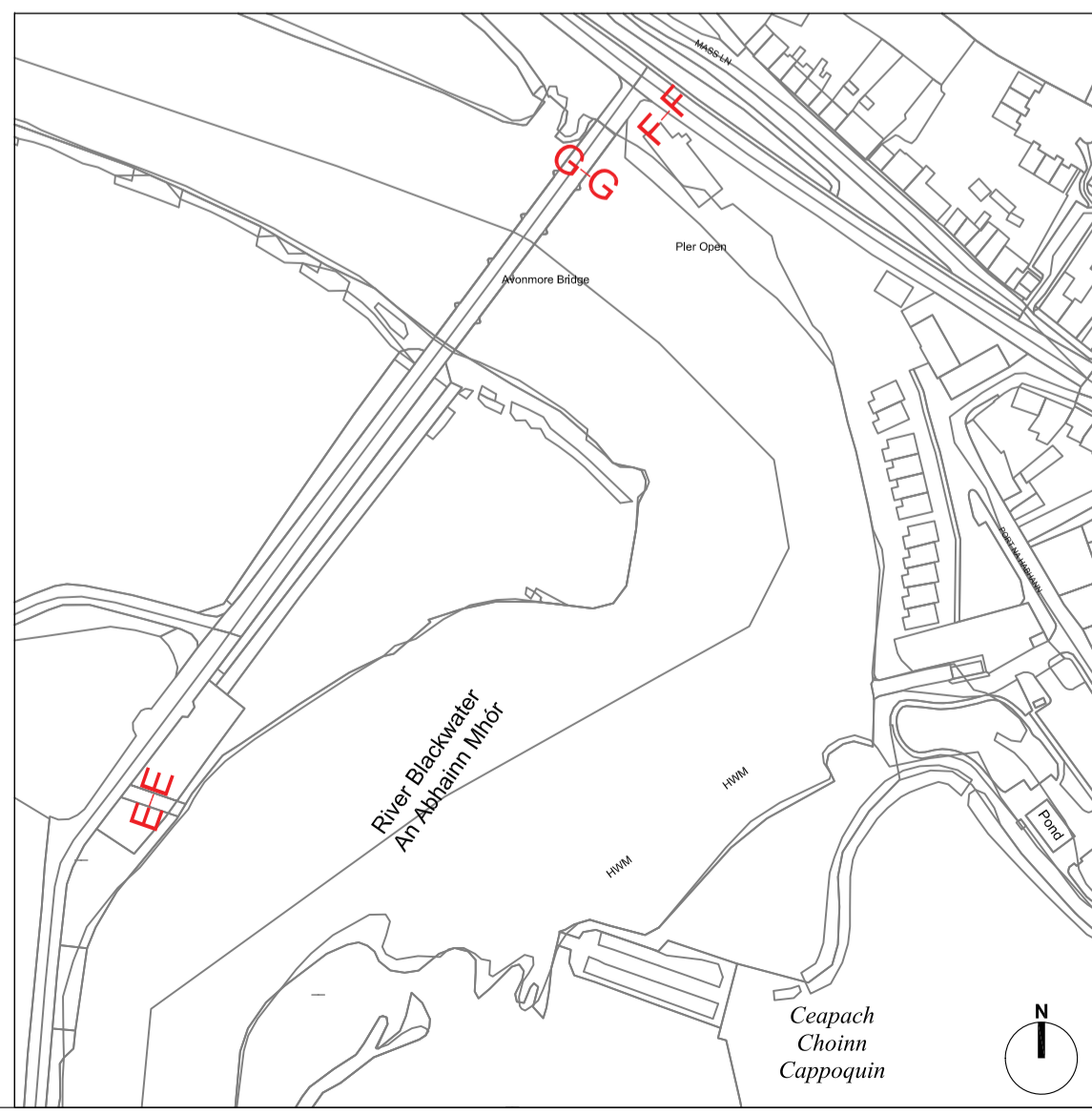
Section GG - Avonmore Bridge - Typical Section 1:20



Section FF - Rowing Club Platform - Typical Section 1:20



SECTION LOCATION PLAN 1:2500



TOBIN CONSULTING ENGINEERS
 Waterford City & County Council
 Connaught Barracks
 & Connaught Barracks
 CYAL50233107 © Ordnance Survey Ireland/Government of Ireland

| Iss | Date | Description | DRN | CHK |
|-----|----------|-------------|-----|-----|
| A | 12.05.22 | First Issue | AR | JH |

LUC LUC Manchester
 6th Flr, 55 King Street, Manchester, M2 4LQ
 +44 (0)161 537 5960
 manchester@lucdise.co.uk
 www.lucdise.co.uk

Project: **Cappoquin Amenity Hub Walking Trail**
 Client: Waterford City and County Council
 Scale @A1
 As Shown
 Status: Planning

Drawing Title: **Typical Sections Sheet 2**
 Job Nr: 11624
 Drawing Nr: 11624-LD-SEC-602
 Issue: A